

DH-CA-D190C

Mega-HDIS Mini Dome Camera



Features

- 1/3" 1.3Mega HDIS
- High resolution of 800TVL
- Day/Night, ATW, AGC, BLC
- 3.6mm fixed lens (2.8mm, 6mm, 8mm optional)
- DC12V

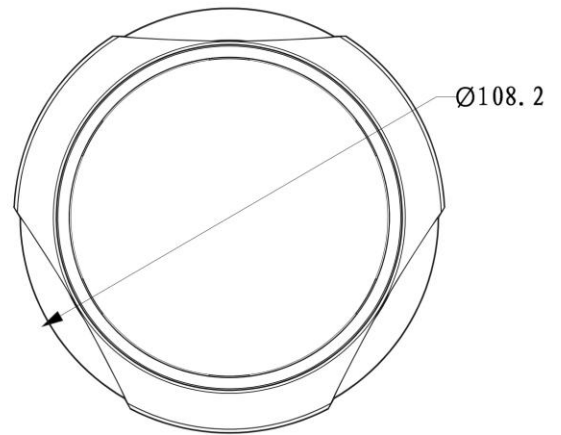
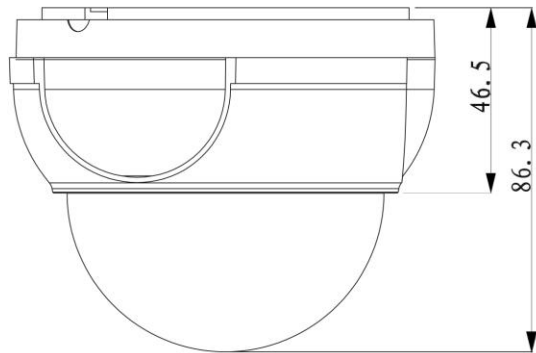
DH-CA-D190C

Technical Specifications

Model	DH-CA-D190CP	DH-CA-D190CN
Camera		
Image Sensor	1/3" 1.3Mega HDIS	
Effective Pixels	1280(H)×960(V)	
Horizontal Resolution	800TVL	
Electronic Shutter	4/25s~1/45,000s	4/30~1/54,000s
Synchronization	Internal	
Min. Illumination	0.01Lux@F1.2	
S/N Ratio	More than 65dB(AGC Off)	
Video Output	1Vp-p Composite Output (75Ω/BNC)	
Camera Features		
Day/Night	Auto(Electronic) / Color / B/W	
Backlight Compensation	BLC	
White Balance	Auto	
Gain Control	Auto	
Noise Reduction	3D	
Lens		
Focal Length	3.6mm (2.8mm, 6mm, 8mm optional)	
Mount Type	M12	
General		
Power Supply	DC12V±10%	
Power Consumption	Max 2W	
Working Environment	-30°C~+55°C / 20%~80%RH	
Dimensions	Φ108.2mm × 86.3mm	
Weight	300g	

DH-CA-D190C

Dimensions (mm)



Dahua Technology Co., Ltd.

1187 BinAn Road, Binjiang District, Hangzhou, China

Tel: +86-571-87688883

Fax: +86-571-87688815

Email: overseas@dahuatech.com

www.dahuasecurity.com

*Design and specifications are subject to change without notice.

© 2013 Dahua Technology Co., Ltd.