

DH-CA-DW191I

Mega-HDIS Water-proof IR Dome Camera



Features

- 1/3" 1.3Mega HDIS
- High resolution of 800TVL
- Day/Night(ICR), DNR(2D&3D), AWB, AGC, BLC, Picture Adjustment
- 2.7~9mm sync focus lens, motorized zoom
- Control over coaxial
- Max. IR LEDs length 30m, Smart IR
- IP66, OSD, DC12V

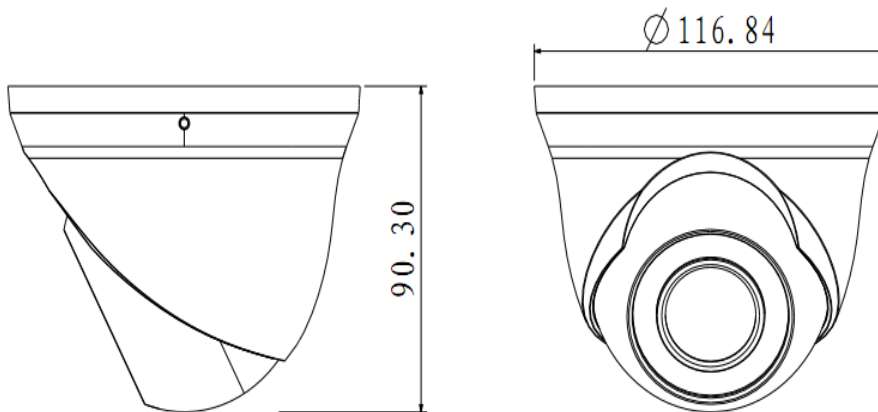
DH-CA-DW191I

Technical Specifications

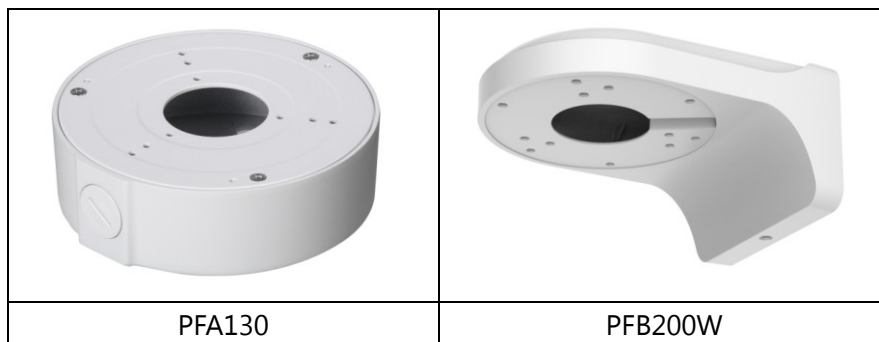
Model	DH-CA-DW191IP	DH-CA-DW191IN
Camera		
Image Sensor	1/3" 1.3Mega HDIS	
Effective Pixels	1280(H) x960(V)	
Horizontal Resolution	800TVL	
Electronic Shutter	4/25s~1/45,000s	
Synchronization	Internal	
Min. Illumination	0.01Lux@F1.2(AGC ON),0Lux IR on	
S/N Ratio	More than 65dB(AGC Off)	
Video Output	1Vp-p Composite Output (75Ω/BNC)	
Camera Features		
Max. IR LEDs Length	30m, Smart IR	
OSD	English, Chinese	
Day/Night	Auto(ICR) / Color / B/W	
Backlight Compensation	BLC	
White Balance	Auto	
Gain Control	Auto	
Noise Reduction	2D/3D	
Picture Adjustment	Mirror/Brightness/Contrast/Sharpness/Hue/Gain	
Lens		
Focal Length	2.7~9mm	
Focus Control	Auto	
Lens Type	Motorized	
Mount Type	Φ14	
General		
Power Supply	DC12V±10%	
Power Consumption	Max 7.2W	
Working Environment	-40°C~+60°C / Less than 95%RH	
Ingress Protection	IP66	
Dimensions	Φ116.8mm x 90.3mm	
Weight	0.6g	

DH-CA-DW191I

Dimensions (mm)



Accessories (optional)



Dahua Technology Co., Ltd.

1187 BinAn Road, Binjiang District, Hangzhou, China

Tel: +86-571-87688883

Fax: +86-571-87688815

Email: overseas@dahuatech.com

www.dahuasecurity.com

*Design and specifications are subject to change without notice.

© 2013 Dahua Technology