

DH-CA-DW191M

Mega-HDIS Water-proof IR Dome Camera



Features

- 1/3" 1.3Mega HDIS
- High resolution of 800TVL
- Day/Night(ICR), 3DNR, AWB, AGC, BLC
- 3.6mm fixed lens (2.8mm, 6mm, 8mm optional)
- Max. IR LEDs length 30m, Smart IR
- IP66, DC12V

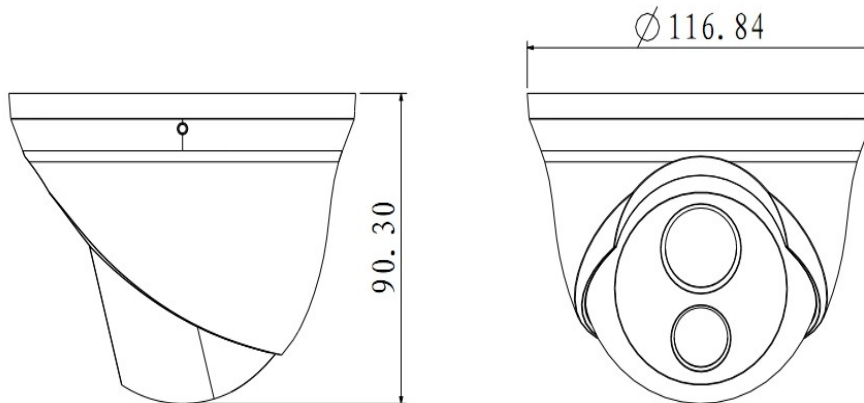
DH-CA-DW191M

Technical Specifications

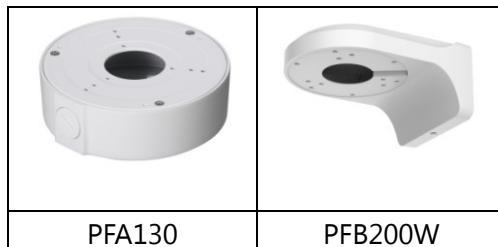
Model	DH-CA-DW191M
Camera	
Image Sensor	1/3" 1.3 Mega HDIS
Effective Pixels	1280(H) x960(V)
Horizontal Resolution	800TVL
Electronic Shutter	4/25s~1/45,000s
Synchronization	Internal
Min. Illumination	0.01Lux@F1.2(AGC ON),0Lux IR on
S/N Ratio	More than 65dB(AGC Off)
Video Output	1Vp-p Composite Output (75Ω/BNC)
Camera Features	
Max. IR LEDs Length	30m, Smart IR
Day/Night	Auto(ICR) / Color / B/W
Backlight Compensation	BLC
White Balance	Auto
Gain Control	Auto
Noise Reduction	3D
Lens	
Focal Length	3.6mm (2.8mm, 6mm, 8mm optional)
Mount Type	M12
General	
Power Supply	DC12V±10%
Power Consumption	Max 5.5W
Working Environment	-40°C~+60°C / Less than 95%RH
Ingress Protection	IP66
Dimensions	Φ116.8mm x 90.3mm
Weight	600g

DH-CA-DW191M

Dimensions (mm)



Accessories (optional)



Dahua Technology Co., Ltd.

1187 BinAn Road, Binjiang District, Hangzhou, China

Tel: +86-571-87688883

Fax: +86-571-87688815

Email: overseas@dahuatech.com

www.dahuasecurity.com

*Design and specifications are subject to change without notice.

© 2013 Dahua Technology