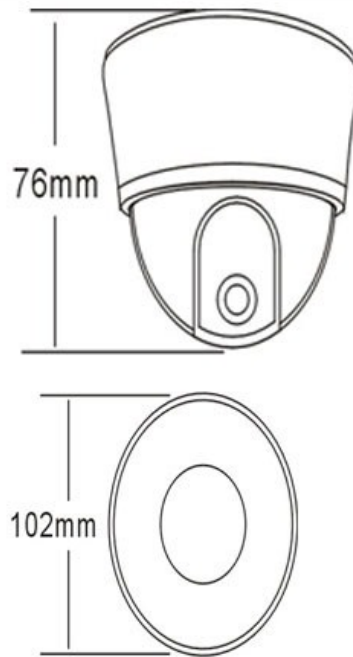


CP- EAC-DY70M-E

Super High Resolution Dome camera with OSD



Main Features

- 1 / 3" Sony Super HAD II Hi Sensitive CCD
- 700 TVL Super High Resolution Camera
- 0.01 lux @ F1.2
- 3.6 mm Fixed Lens
- AGC, AES, BLC, Mirror, Privacy Masking and Motion Detection
- D-WDR, 2D-DNR
- CE, FCC and RoHS Certified



CP- EAC-DY70M-E

Super High Resolution Dome camera with OSD

Feature

Image Sensor

Pixels

Resolution

Min. Illumination

S/N Ratio

Electronic Shutter

Lens

Gamma Correction

White Balance (AWB)

Gain Control (AGC)

Back Light Compensation

Sync

Video Output

Special Functions

Power Supply

Power Consumption

Dimensions

Weight

Operating Temperature

Certifications

Specification

1 / 3" Sony Super HAD II Hi-sensitive CCD & DSP

PAL:960Hx582V, NTSC:967Hx494V

700 TVL

0.01 lux @F1.2

more than 50dB

1/50(1/60) - 1/100000 Sec

3.6 mm

0.45

ON/OFF Selectable

ON/OFF Selectable

ON/OFF Selectable

Internal

1.0 Vp-p/75 ohm

OSD, Camera Title, Mirror, Privacy Masking=8, Motion Detection=4, D-WDR, 2D-DNR

DC 12V ± 5%

<3W

Φ102mm X 76mm

300g

-20~50 °C

CE, FCC, RoHS